



# NORTH TEXAS PRESSURE VESSELS INC.

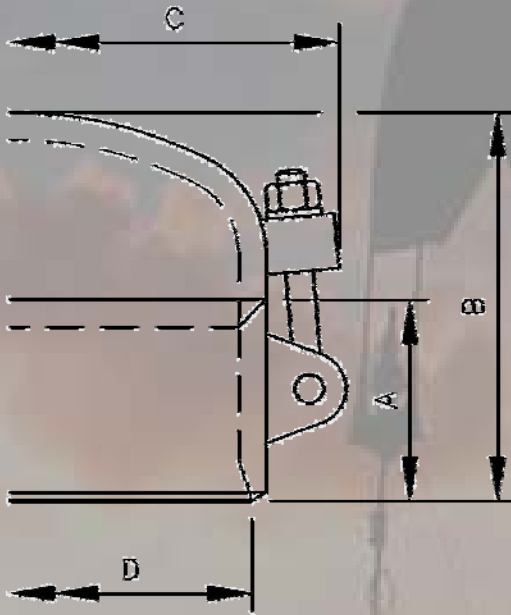
**940-327-0800**  
 327 Travis Street  
 Mineral Wells, TX 76067  
<http://www.ntpvinc.com>

PRESSURE VESSELS FOR THE OIL, NATURAL GAS AND INDUSTRIAL MARKETS

*North Texas Pressure Vessels manufactures the FENIKS swing bolt closure in both ASME Code and non-Code designs, with machining capability ranging from 6 5/8" O.D. to 72" O.D. Closures can be constructed of either carbon or stainless steel and can be provided with a hinge or davit assembly. To discuss your closure requirements, please contact our sales department at 940-327-0800 for price and delivery, or by email at [sales@ntpvinc.com](mailto:sales@ntpvinc.com)*

## FENIKS Closure Product Line

NFC	-	XX	-	XXX	-	XXX	-	XX	-	X	-	X
FENIKS	Nominal Size		Design Data		Design Pressure		Material		Orientation		Code	



	Approximate Dimensions					Allowable Pressure @ Specific C.A.			Estimated Weight	
	A	B	C (OL Φ)	D (Bore)	T (POW)	0"	1/16"	1/8"	Total	Head
						275	200	150		
NFC-6-358-275-CS-H-C	5.00	9.00	11.00	5.501	0.280	275	200	150	75	28
NFC-8-458-275-CS-H-C	5.00	9.50	13.00	7.625	0.322	275	200	150	111	53
NFC-10-658-275-CS-H-C	5.50	10.50	15.25	9.750	0.365	275	200	150	158	72
NFC-12-634-275-CS-H-C	5.50	10.50	17.25	11.376	0.375	275	200	150	218	96
NFC-14-634-275-CS-H-C	5.50	11.50	18.50	12.500	0.375	275	200	150	270	126
NFC-16-834-275-CS-H-C	6.00	12.50	20.50	14.312	0.375	275	200	150	340	154
NFC-18-061-275-CS-H-C	7.00	14.00	22.75	16.126	0.375	275	200	150	408	197
NFC-20-061-275-CS-H-C	7.50	15.00	24.75	17.938	0.375	275	200	150	455	220
NFC-24-101-275-CS-H-C	7.50	15.75	28.75	22.064	0.375	275	200	150	622	307
NFC-26-141-275-CS-H-C	7.50	16.50	31.00	24.250	0.375	275	200	150	550	272
NFC-28-141-275-CS-H-C	10.00	19.50	33.00	26.000	0.375	275	200	150	755	354
NFC-30-141-275-CS-H-C	10.50	20.50	36.00	28.000	0.375	275	200	150	858	402
NFC-32-141-275-CS-H-C	10.50	21.00	38.00	30.000	0.375	275	200	150	942	461
NFC-34-141-275-CS-H-C	10.50	21.50	40.00	32.000	0.375	275	200	150	1,015	511
NFC-36-141-275-CS-H-C	10.50	22.00	42.00	34.000	0.375	275	200	150	1,098	571